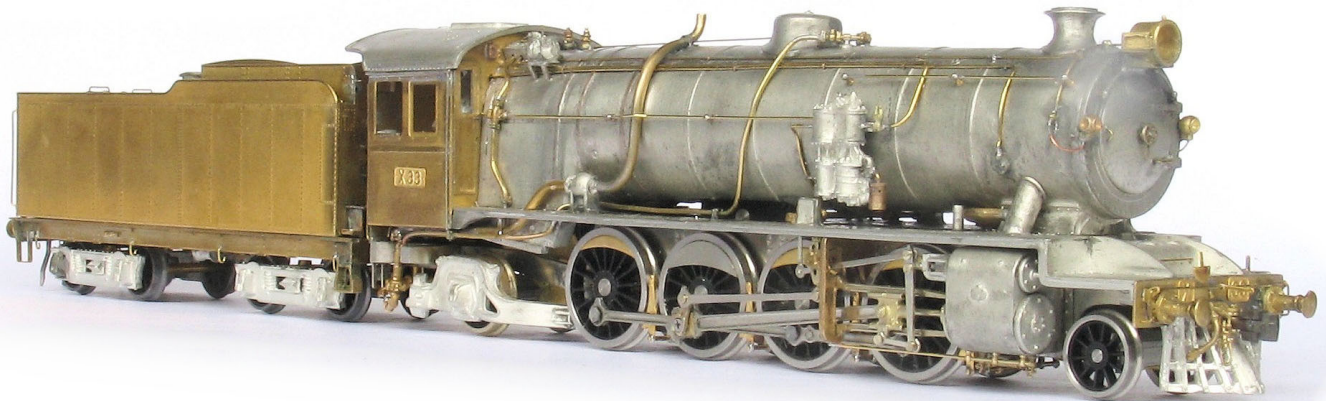




Victorian Railways X Class 2-8-2

Round top firebox, riveted tender



Kit Reference
E227
HO Scale (1:87)

Steam Era Models
C/-P.O. Rhyll, Victoria, 3923
Phone/Fax (03) 5956 9389
Email: sem@waterfront.net.au
Website: <http://home.waterfront.net.au/~sem>

Victorian Railways X Class 2-8-0

E226A – (Belpaire Firebox, riveted tender)

E226B – (Belpaire Firebox, welded tender)

E227 – (Round Top Firebox, riveted tender)

PARTS LIST

ETCHINGS

E1	R/H Chassis Frame	Nickel Silver
E2	L/H Chassis Frame	Nickel Silver
E3	Chassis Spacer Plate (Front Mounting)	Nickel Silver
E4	Chassis Spacer Plate (Tender/Loco Bar Mounting)	Nickel Silver
E5	Chassis Spacer Plate (Ash Pan Mounting)	Nickel Silver
E6	Frame Spacer Packer x 4	Nickel Silver
E7	L/H Cylinder Detail Plate	Nickel Silver
E8	R/H Cylinder Detail Plate	Nickel Silver
E9	Chassis Guard Iron Detail Plate x2	Nickel Silver
E10	Motor Lower Mounting Plate	Nickel Silver
E11	Keeper Plate	Nickel Silver
E12	Cylinder Rear Covers x2	Nickel Silver
E13	R/H Coupling Rods	Nickel Silver
E14	L/H Coupling Rods	Nickel Silver
E15	L/H Connecting Rod	Nickel Silver
E16	R/H Connecting Rod	Nickel Silver
E17	Counterweight (Return Crank Wheel) x2	Nickel Silver
E18	Front Guard Irons	Nickel Silver
E19	Valve Gear Washer (0.009") x2	Nickel Silver
E20	Valve Gear Washer (0.018") x4	Nickel Silver
E21	Tender Bogie Keeper Plate x 2	Nickel Silver
E22	Loco Drawbar	Nickel Silver
E23	L/H Tender Rear Guard Iron	Nickel Silver
E24	R/H Tender Rear Guard Iron	Nickel Silver
E25	Cab (Belpaire Firebox, E226A/B)	Brass
E26	L/H Loco Brake x4	Brass
E27	R/H Loco Brake x4	Brass
E28	Cab (Round Top Firebox, E227)	Brass
E29	Cab Rear Plate (Round Top Firebox, E227)	Brass
E30	Cab Floor (Round Top Firebox, E227)	Brass
E31	Cab Window Arm Rest x2	Brass
E32	Front Buffer Beam	Brass
E33	Loco Marker Disc (Open)	Brass
E34	Loco Marker Disc (Folded)	Brass
E35	Lamp Bracket	Brass
E36	Ashpan Lever Bracket (Round Top Firebox, E227)	Brass
E37	Ashpan Lever Bracket Front Plate (Round Top Firebox, E227)	Brass
E38	Loco/Tender Connector Bar (Close & Coupled) x2	Brass
E39	Loco/Tender Connector Bar x2	Brass
E40	Cab Rear Plate (Belpaire Firebox, E226A/B)	Brass
E41	Cab Floor (Belpaire Firebox, E226A/B)	Brass

E42	Tender Rear Deck Support	Brass
E43	Cab Front Door	Brass
E44	Tablet Catcher Lever	Brass
E45	Tender, Loco/Tender Connector Mounting Plate	Brass
E46	Tender Rear Deck Support	Brass
E47	Counterweight (Central Wheels) x2	Brass
E48	Counterweight (Leading & Trailing Wheels) x4	Brass
E49	Steam generator Mounting Bracket (Round Top Firebox, E227)	Brass
E50	Brake Pull Rods x2	Brass
E51	R/H Upper Ashpan Side	Brass
E52	L/H Upper Ashpan Side	Brass
E53	Trailing Truck Keeper Plate	Brass
E54	Pony Truck Keeper Plate/Frame	Brass
E55	Motor Mounting Bracket	Brass
E56	Reversing Gear Push Rod	Brass
E57	Smoke Deflectors x1 Pair (Belpaire Firebox, E226A/B)	Brass
E58	Lower Ashpan	Brass
E59	Tender Sides & Back	Brass
E60	Tender Front Plate	Brass
E61	Tender Front Coal Space Doors	Brass
E62	Tender Front Floor Support	Brass
E63	L/H Tender Valance	Brass
E64	R/H Tender Valance	Brass
E65	Tender Centre Sills x2	Brass
E66	Tender K-Dee Mounting Plate	Brass
E67	Tender Buffer Beam	Brass
E68	Tender Rear Ladder (Riveted Tender)	Brass
E69	Tender Rear Ladder (Welded Tender)	Brass
E70	Tender Front Floor Inner Support x2	Brass
E71	Tender Deck	Brass
E72	Tender Floor	Brass
E73	Tender Lift Bracket x 2	Brass
E74	Tender Coal Hopper Sides & Back	Brass
E75	Tender Brake Cylinder Linkage	Brass
E76	Tender Brake Cylinder Linkage	Brass
E77	Tender Front Floor	Brass
E78	Crosshead Fixing Plate x 2	Brass
E79	Connecting Rod Big End Bearing Detail x2	Brass
E80	Cab Rear Plate Thickening (Belpaire Firebox, E226A/B)	Brass
E81	Cab Rear Thickening Plate (Round Top Firebox, E227)	Brass
E82	Plate Cowcatcher	Brass
E83	Cab Fall-Plate	Brass
E84	R/H Blow Down Valve Operating Rod (Belpaire Firebox, E226A/B)	Brass
E85	L/H Blow Down Valve Operating Rod (Belpaire Firebox, E226A/B)	Brass
E86	Tender Marker Disc (Folded)	Brass
E87	Tender Marker Disc (Open)	Brass
E88	Grate Dump Gearbox Hand Wheel (Belpaire Firebox, E226A/B)	Brass
E89	Cab Rear Window Covers x2	Brass
E90	Coupling Lifting Mechanism Link Rod x2	Brass
E91	Coupling Lifting Mechanism Bracket x6	Brass
E92	Whistle Shroud (Belpaire Firebox, E226A/B)	Brass

E93	Loco Firebox Ladder (Belpaire Firebox, E226A/B)	Brass
E94	Speed Recorder Drive Mounting Bracket	Brass
E95	Speed Recorder Drive Mounting Bracket	Brass
E96	Tender Upper Front Step x2	Brass
E97	Tender R/H Rear Step	Brass
E98	Tender Front Plate Step x2	Brass
E99	Crosshead Front Plating x2	Brass
E100	R/H Crosshead Guide Rear Plating	Brass
E101	L/H Crosshead Guide Rear Plating	Brass
E102	R/H Tender Floor Edge Thickening Plate	Brass
E103	L/H Tender Floor Edge Thickening Plate	Brass
E104	Booster Pipe Support Brackets	Brass
-	No. Plates	Brass
-	Fire Irons	Brass
-	R/H Valve Gear Assembly	
-	L/H Valve Gear Assembly	
-	R/H Return Crank Assembly	
-	L/H Return Crank Assembly	

LOSTWAX CASTINGS

L1.	R/H Crosshead
L2.	L/H Crosshead
L3.	R/H Expansion Link
L4.	L/H Expansion Link
L5.	Tender Tap
L6.	Crosshead Guides x 2
L7.	R/H Eccentric Crank
L8.	L/H Eccentric Crank
L9.	Whistle (Round Top Firebox, E227)
L10.	R/H Marker Light x2
L11.	Tender Rear Lamp Bracket
L12.	L/H Marker Light x2
L13.	Smokebox Door Square Marker Light x2 (Belpaire Firebox, E226A/B)
L14.	Boiler Feed Check Valve x2
L15.	Tender Marker Light Wire Connector x2
L16.	Tender Tank Bracing Plate x2
L17.	Tender Back-up Light
L18.	Screw Coupling
L19.	Whistle (Belpaire Firebox, E226A/B)
L20.	Smokebox Door Clamp Wheel
L21.	Air Pump Governor
L22.	Tender Rear Step
L23.	Screw reverser Hand Wheel
L24.	Regulator
L25.	Speed Recorder Drive Fitting
L26.	L/H Rear Booster Pipe Section (Belpaire Firebox, E226A/B)
L27.	Rear Safety Valve
L28.	Leading Safety Valve
L29.	Cab Mounted Junction Box
L30.	Pump Air Filter
L31.	Lubricator Terminal Check Valve (Belpaire Firebox, E226A/B)

- L32. L/H Rear Booster Pipe Section (Round Top Firebox, E227)
- L33. Tender Towing Hitch x2
- L34. Injector Starting Valves x2
- L35. Tender Handbrake Wheel
- L36. Air Brake Distributing Valve
- L37. Speed Recorder Drive Gearbox
- L38. Conduit Junction Box x6 (x1 spare)
- L39. Brake Hose x2
- L40. Tender Front Steps x2
- L41. Atomiser x2 (Belpaire Firebox, E226A/B)
- L42. Pipe Joint Flange x6
- L43. Draincocks x2
- L44. Blow Down Valve x2 (Belpaire Firebox, E226A/B)
- L45. Booster Pipe Lower Section x2
- L46. R/H Injector
- L47. Booster Engine
- L48. L/H Injector
- L49. L/H Motion Bracket
- L50. Reversing Gear Cross-shaft
- L51. R/H Motion Bracket
- L52. R/H Rear Booster Pipe Section
- L53. Reversing Gear Push Rod Bracket x2

WHITE METAL

- W1. Tender Brake Cylinder
- W2. Tender Water Treatment Box
- W3. Tender Water Filler
- W4. Tender Toolbox
- W5. Tender/Loco Buffers x2 Pair
- W6. Tender Bogie Sideframes x 4
- W7. R/H & L/H Cylinder Block
- W8. Front Cylinder Cover x2
- W9. Front Valve Cover x2
- W10. Valve Guide x2
- W11. Chassis Air Tank
- W12. Rear Headstock x2
- W13. L/H Trailing Truck Frame (Cast Type)
- W14. R/H Trailing Truck Frame (Cast Type)
- W15. Trailing Truck Fixing Bracket (Cast Type)
- W16. L/H Trailing Truck Frame (Plate Type)
- W17. R/H Trailing Truck Frame (Plate Type)
- W18. Trailing Truck Fixing Bracket (Plate Type)
- W19. Trailing Truck Rear Block
- W20. Pony Truck Housing
- W21. Cab Roof
- W22. Boiler Backhead (Belpaire Firebox, E226A/B)
- W23. Fireman's Seat
- W24. Driver's Seat (Belpaire Firebox, E226A/B)
- W25. Outer Cab Floor Section x2
- W26. Dummy Coupler

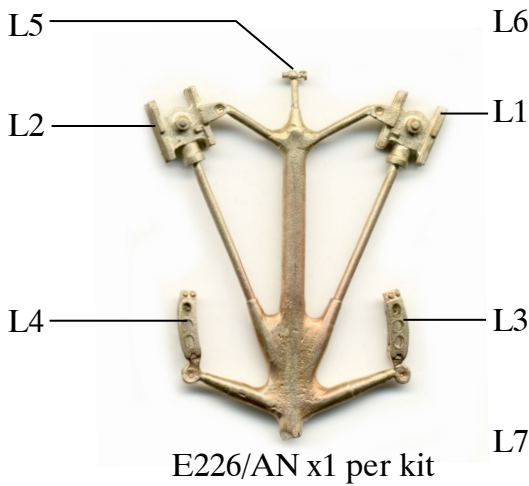
- W27. Footplate
- W28. Boiler
- W29. Belpaire Firebox (E226A/B)
- W30. Steam Turret Cover (Belpaire Firebox, E226A/B)
- W31. L/H Lower Firebox Side
- W32. R/H Lower Firebox Side
- W33. Funnel (Belpaire Firebox, E226A/B)
- W34. Dome
- W35. Steam generator
- W36. Twin Stage Air Compressor
- W37. Mechanical Lubricator
- W38. Reversing Gear Cover x2
- W39. Steampipe x2
- W40. Footplate Booster Pipe
- W41. L/H Booster Pipe And Valve
- W42. R/H Booster Pipe And Valve
- W43. Smokebox Door
- W44. R/H Footplate Pipe
- W45. Air Distributing Valve (Belpaire Firebox, E226A/B)
- W46. Sandbox Filler Caps
- W47. Front Footplate Lamp
- W48. Smokebox Lamp
- W49. Lattice Cow Catcher
- W50. Coupling Housing
- W51. Round Top Firebox (E227)
- W52. Drivers Seat (Round Top Firebox, E227)
- W53. Funnel (Round Top Firebox, E227)
- W54. Boiler Backhead (Round Top Firebox, E227)
- W55. Steam Turret Cover (Round Top Firebox, E227)
- W56. Single Stage Air Pump (Round Top Firebox, E227)
- W57. R/H Firebox Fitting (Round Top Firebox, E227)

Fittings

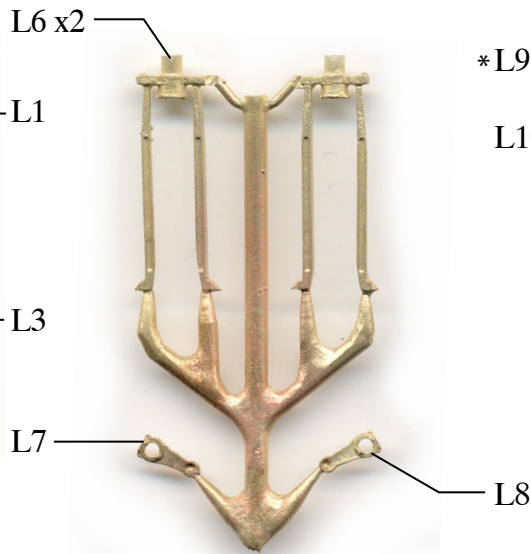
108020	14 BA 1/4" CH Screw	x 2
108030	14 BA Nut	x 2
108031	12 BA x 3/32" CH Screw	x 13
108055	12 BA Nut	x 6
108144	8 BA Shouldered Screw	x 2
108072	M2 x 3mm CH Screw	x 4 (x2 spare)
108090	M2 x 4mm CS Screw	x 1
108074	M2 x 5mm CH Screw	x 2
108077	M2 x 8mm CH Screw	x 3
108386	M2 Spacer Screw Brass CZ121	x 4
108105	M2 Nut	x 3
108371	M2 Shouldered Screw	x 1
108396	TEC 10mm Long Spacer Square	x 2
109566	Short Handrail Knob	x 14 (x16 E227)
108407	Long Handrail Knob	x 7
108432	Spring	x 2
108441	Tender/Loco Pin	x 1
109624	Bush	x 1

111120	Pinpoint Bearing	x 10
E226/TB	Tender Boss	x 2
109055	Wire 0.3mm Straight Cut 150mm	x 5
109056	Wire 0.4mm Straight Cut 150mm	x 10
109057	Wire 0.5mm Straight Cut 150mm	x 5
109058	Wire 0.7mm Straight Cut 150mm	x 5
109060	Wire 1.6mm Straight Cut 200mm	x 1
109065	Insulated Wire 400mm	-
E116/1717	Pick-up Strip	x 4
109064	Copper clad board 8mm x 11.5mm	x 2
108424	Plastiglaze Clear 15mm x 70mm	x 1
SEM	Mashima MH 1626 motor	x 1
SEM	Driving wheel assembly – with gear	x 1
SEM	Driving wheel assembly – plain	x2
SEM	Hex head crank pin	x 6
SEM	M4 grub screw –crank pin spanner	x 1
SEM	Leading Pony wheelset	x 1
SEM	Trailing truck wheelset	x 1
SEM	Tender bogie wheelset	x 4
SEM	North Yard 36:1 idler gearbox	x 1
SEM	M1.4x4mm crank screws	x2
SEM	Motor Sleeve	x 1
SEM	M2x2mm Motor Screw	x2

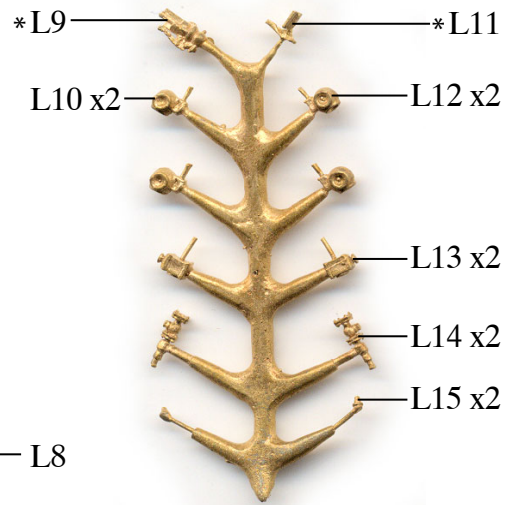
E226A/B, E227-LOST WAX CASTINGS



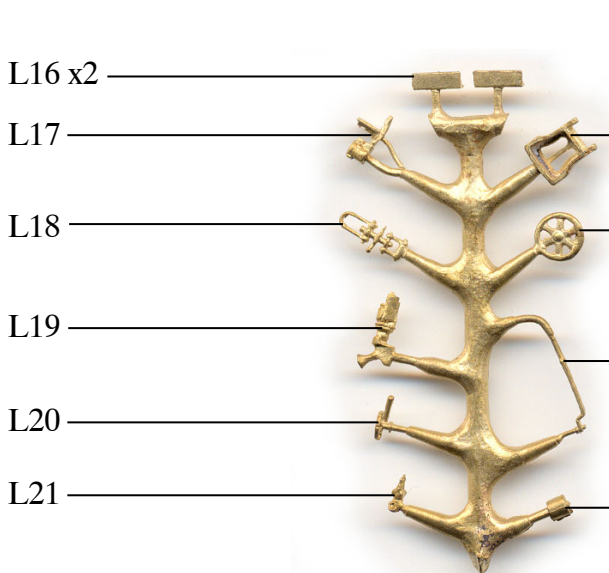
E226/AN x1 per kit



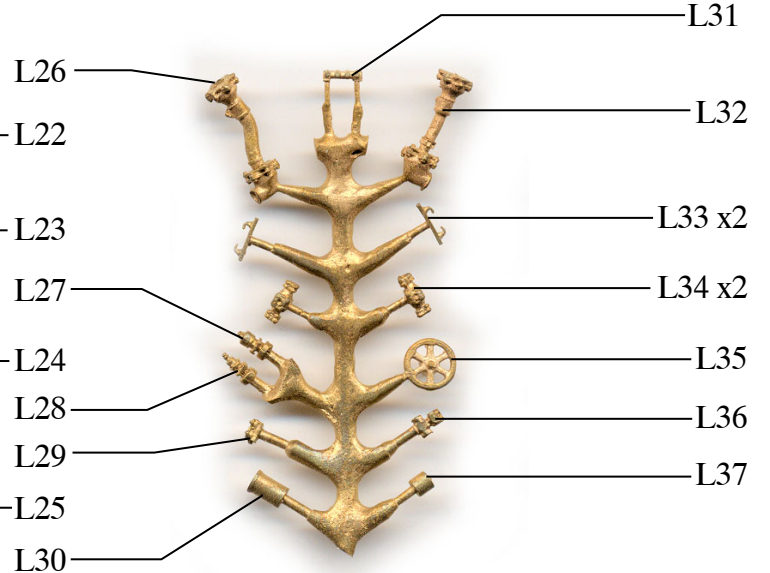
E226/BN x1 per kit



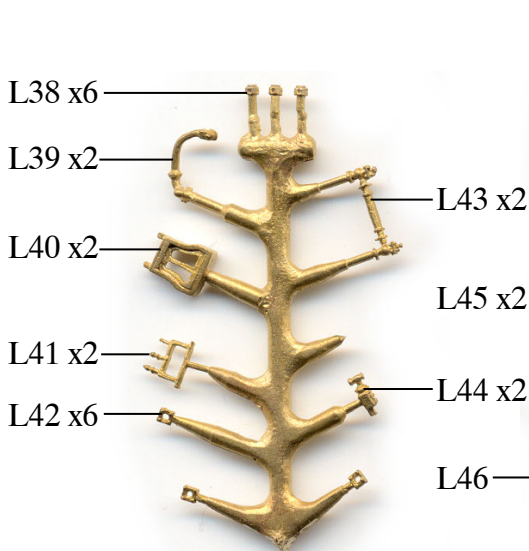
E226/C x1 per kit



E226/D x1 per kit



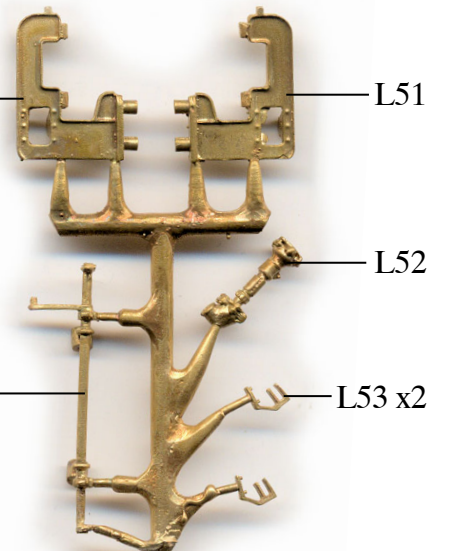
E226/E x1 per kit



E226/F x2 per kit



E226/G x1 per kit



E226/H x1 per kit

* Round Top Firebox Version Only (E227)

E227-FITTINGS

108031x2



108407x2

E226/TB



108371x1

108396x2



108090x1

109566x14



108407x7

108144x2



111120x10

108020x2



108030x2

109624x1



108077x3

108031x11



108074x2

108105x3



108432x2

108072x4
(x2 spare)



108441x1

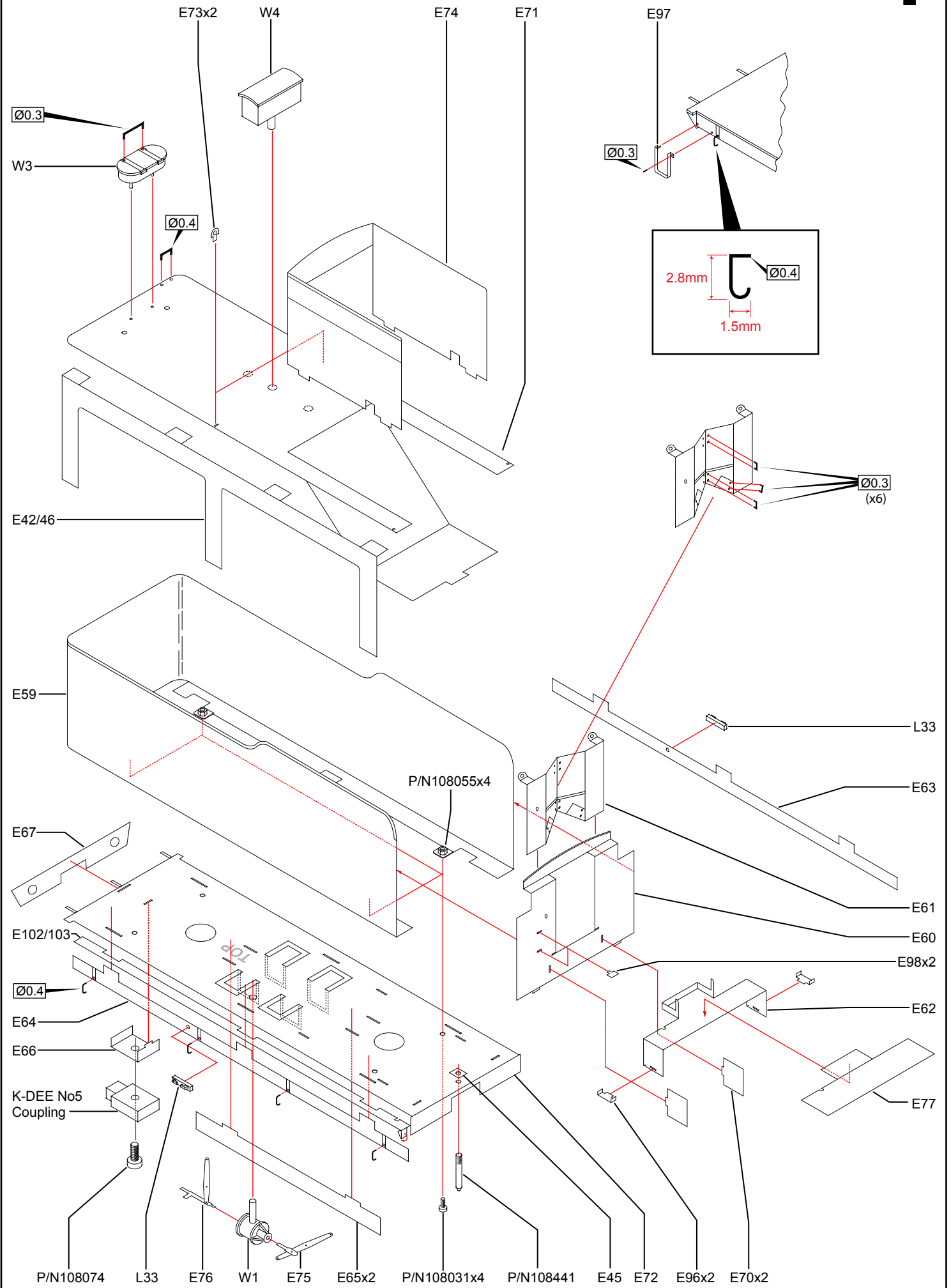
108055x6

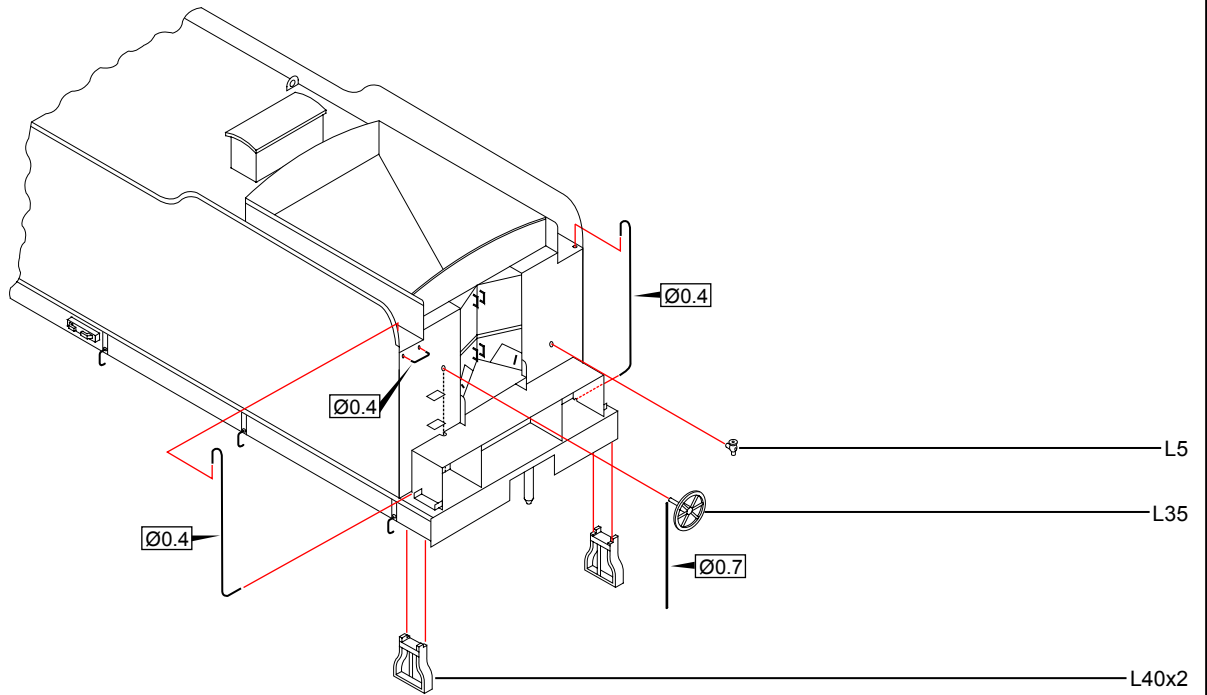


108386x4

E227

1



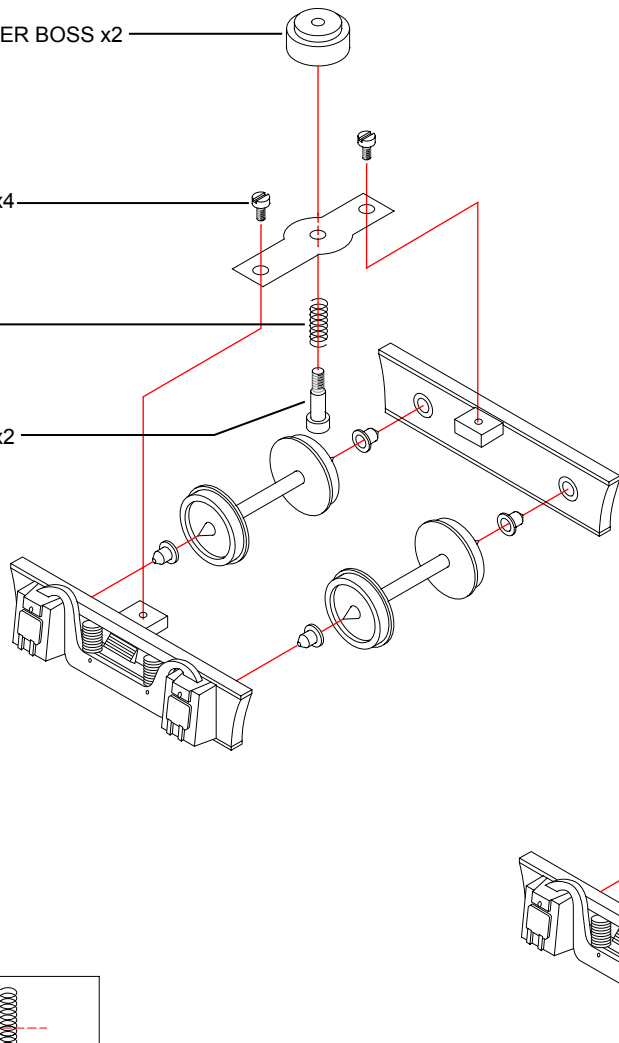


E226 TENDER BOSS x2

P/N108031x4

P/N108432

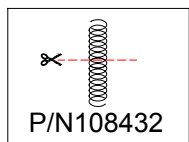
P/N108144x2



E21x2

W6x4

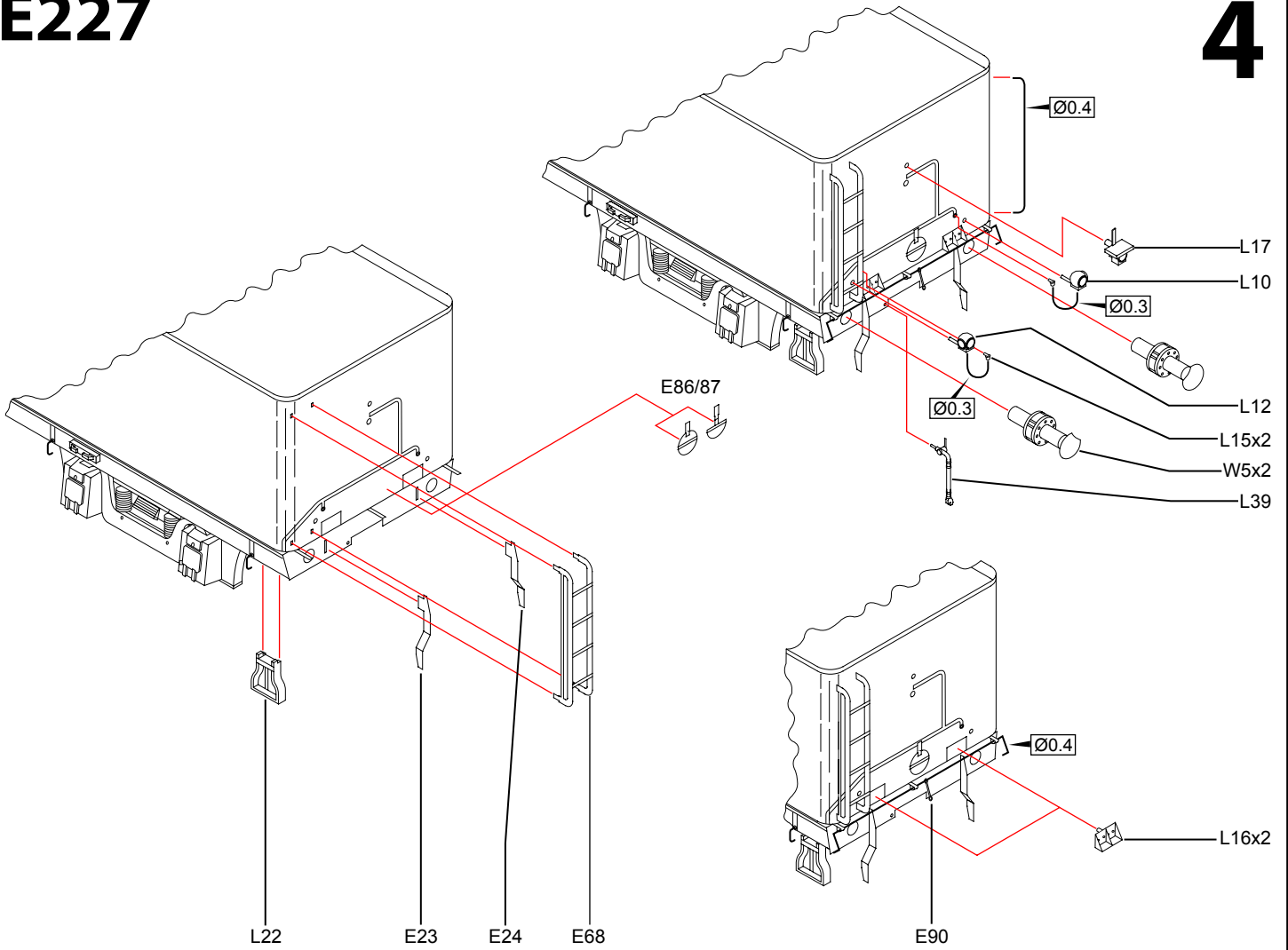
P/N111120x8



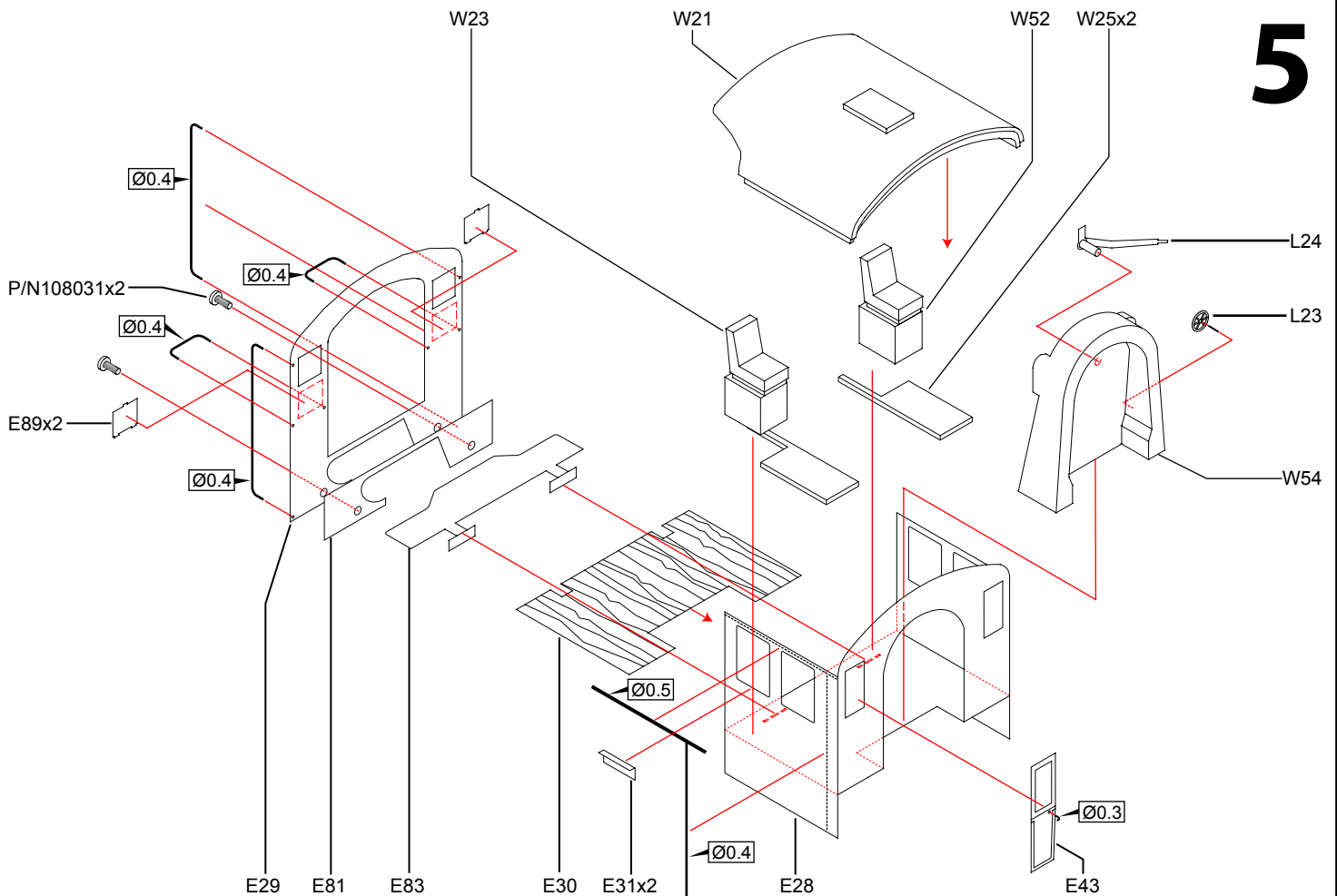
P/N108432

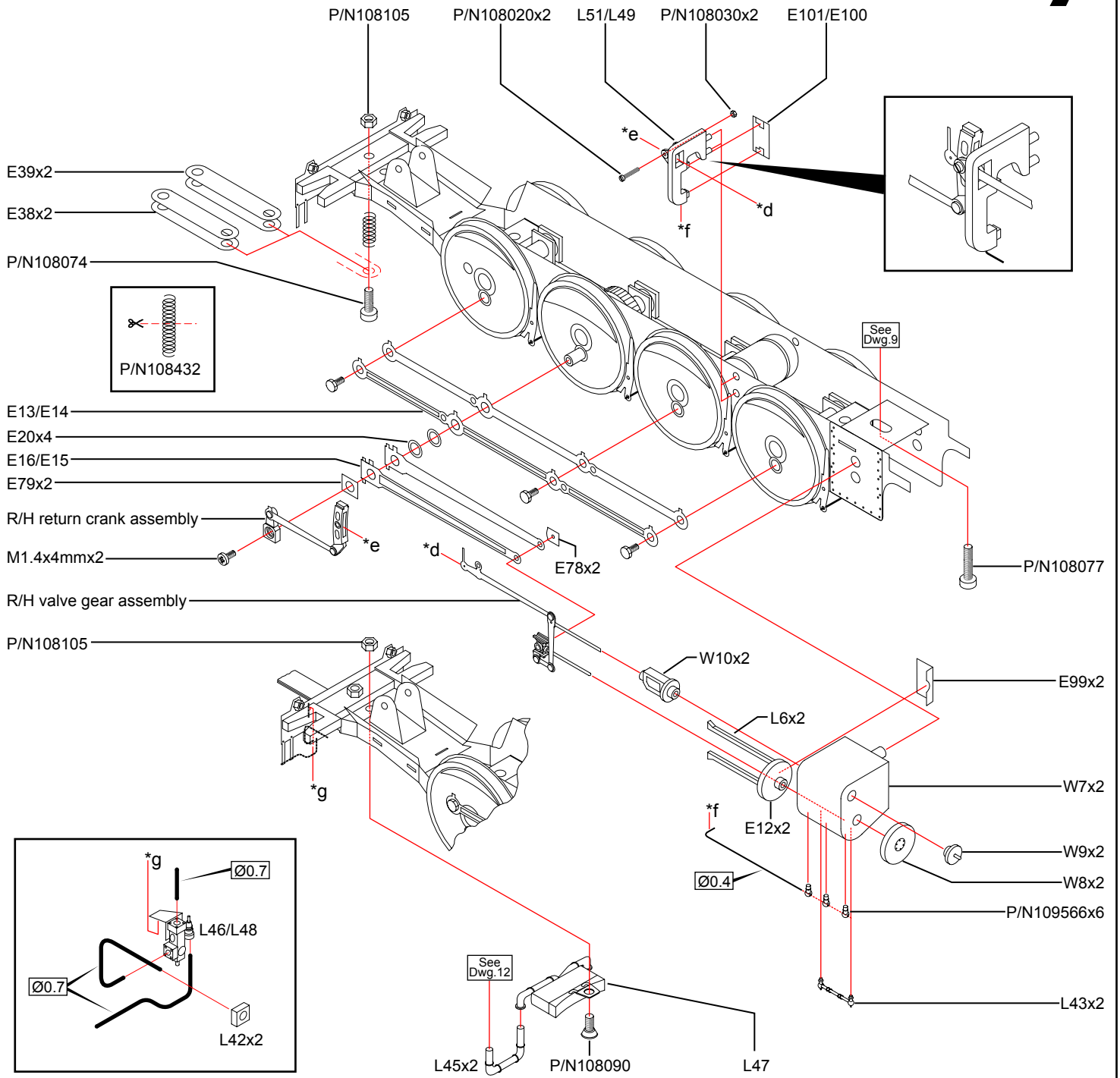
E227

4

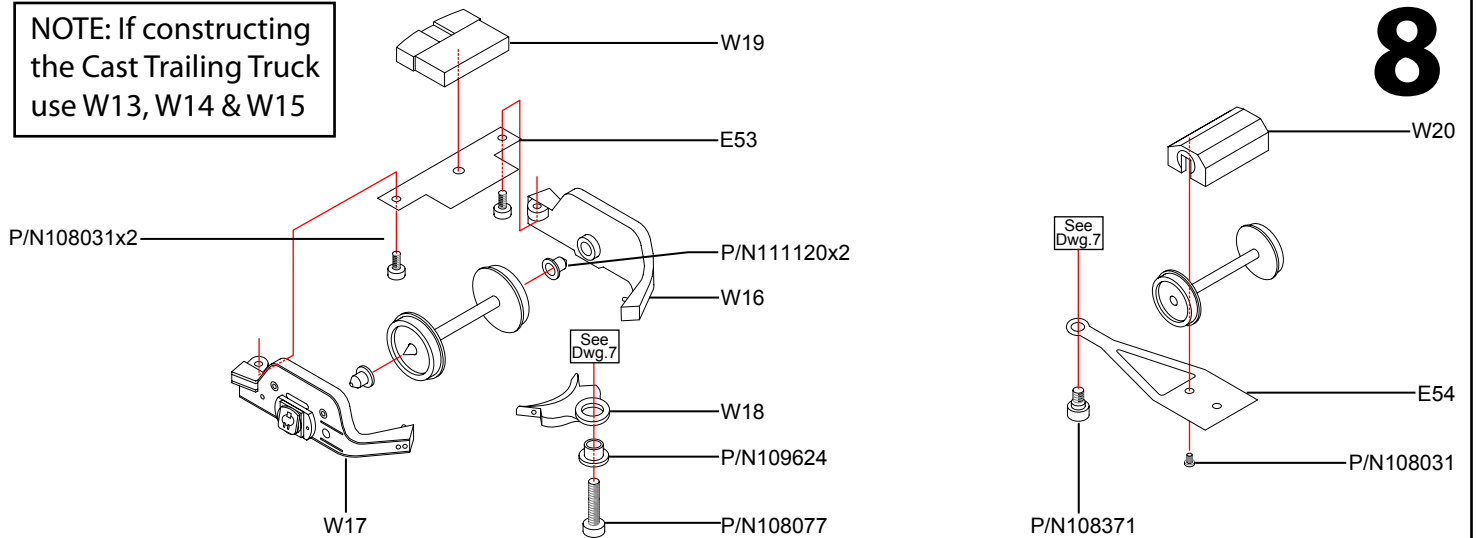


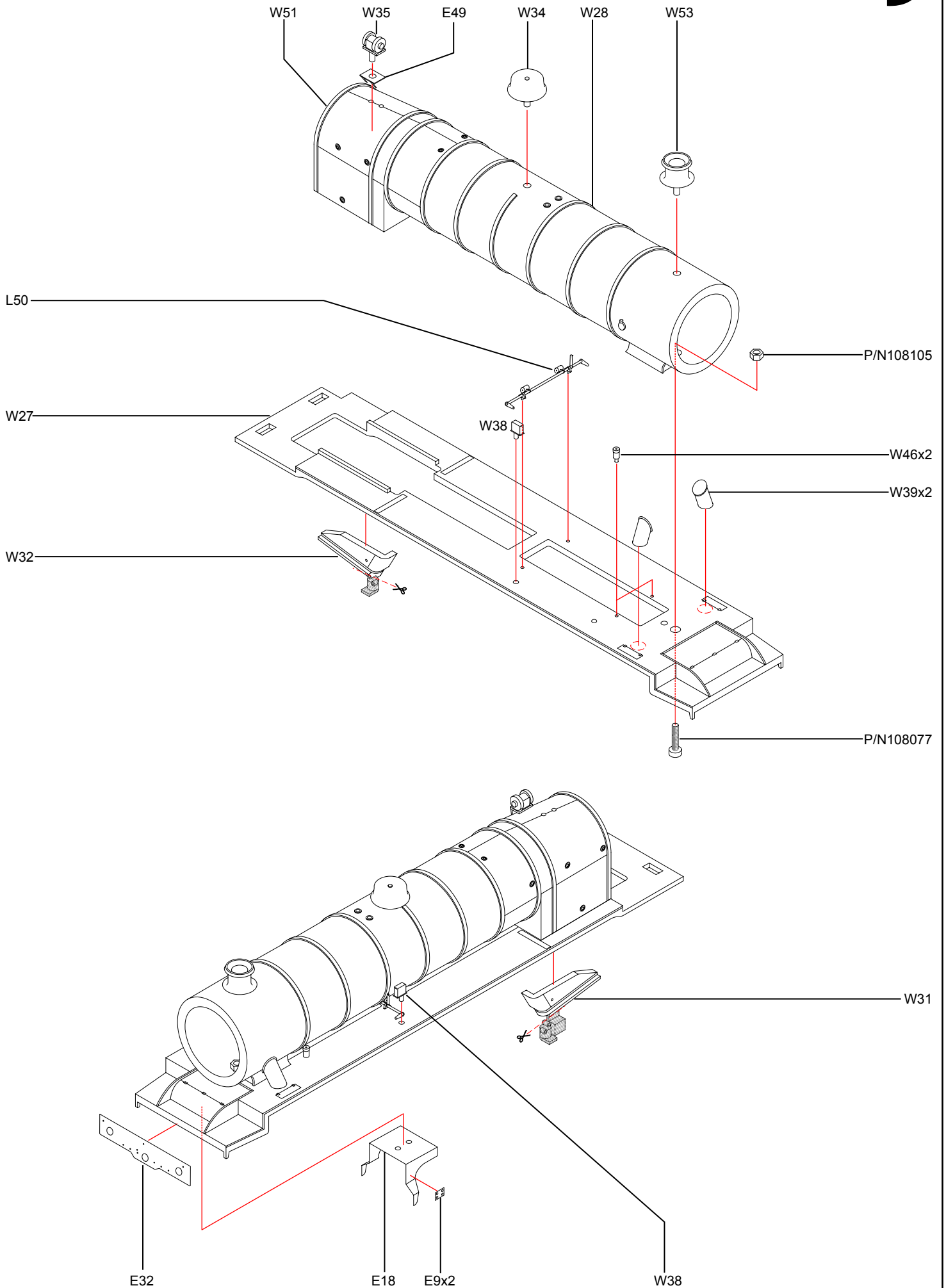
5

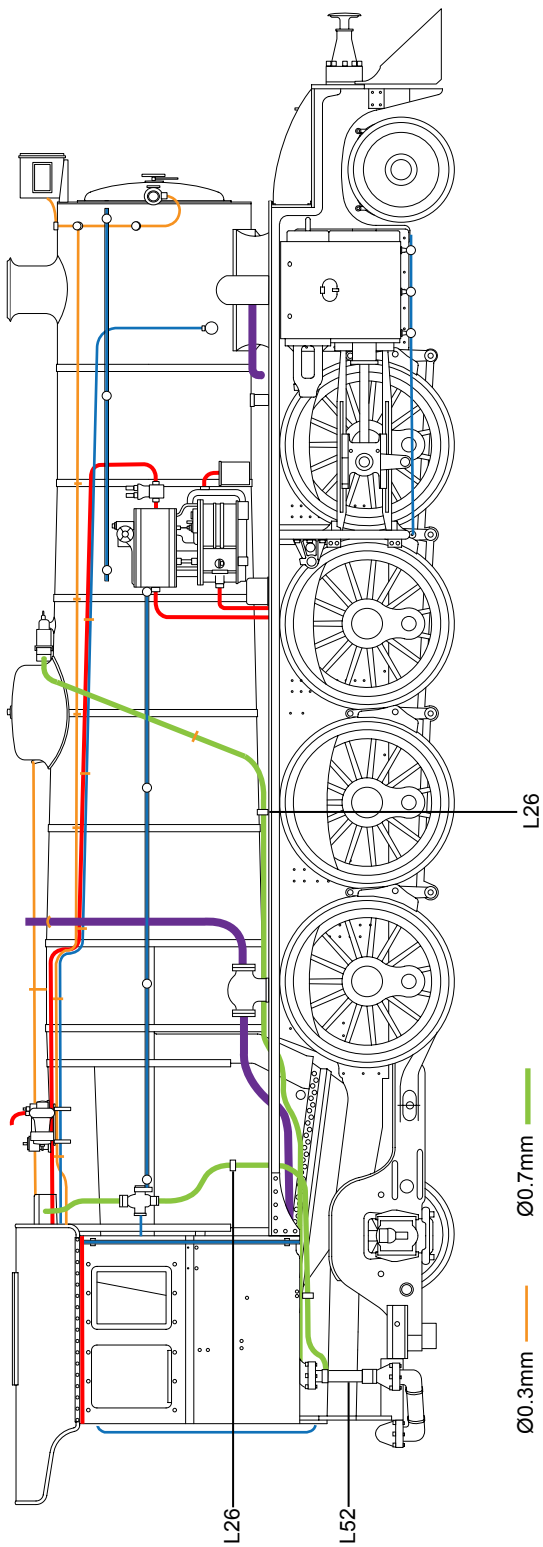
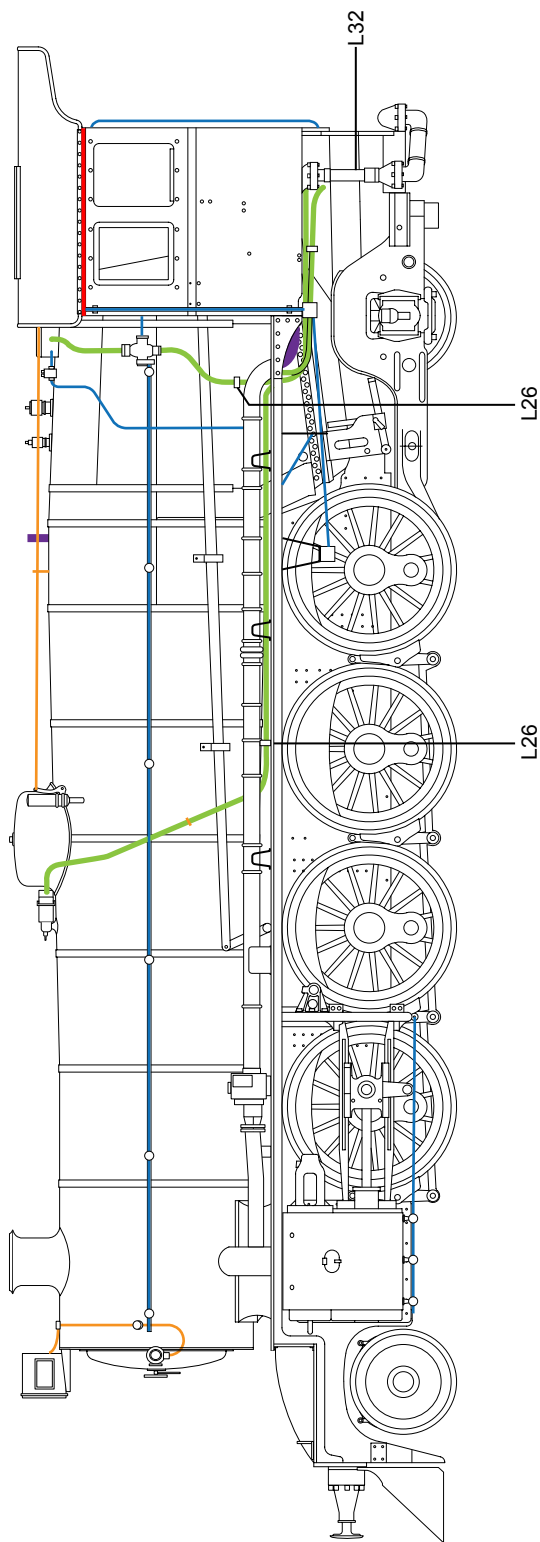
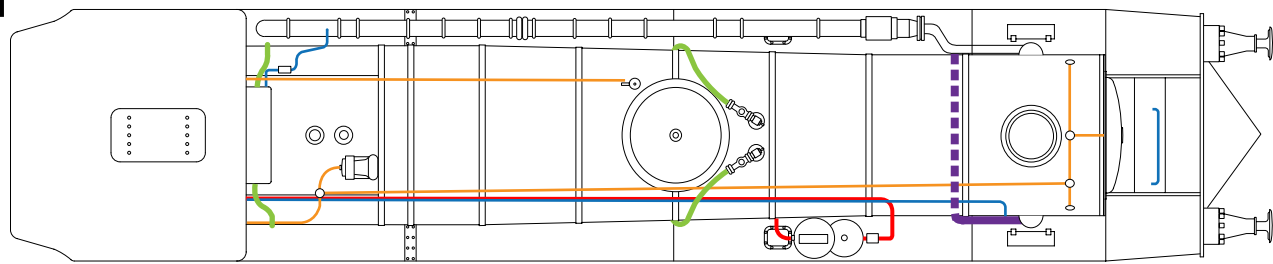




NOTE: If constructing the Cast Trailing Truck use W13, W14 & W15







- Ø0.3mm
- Ø0.4mm
- Ø0.5mm
- Ø0.7mm
- Ø1.6mm